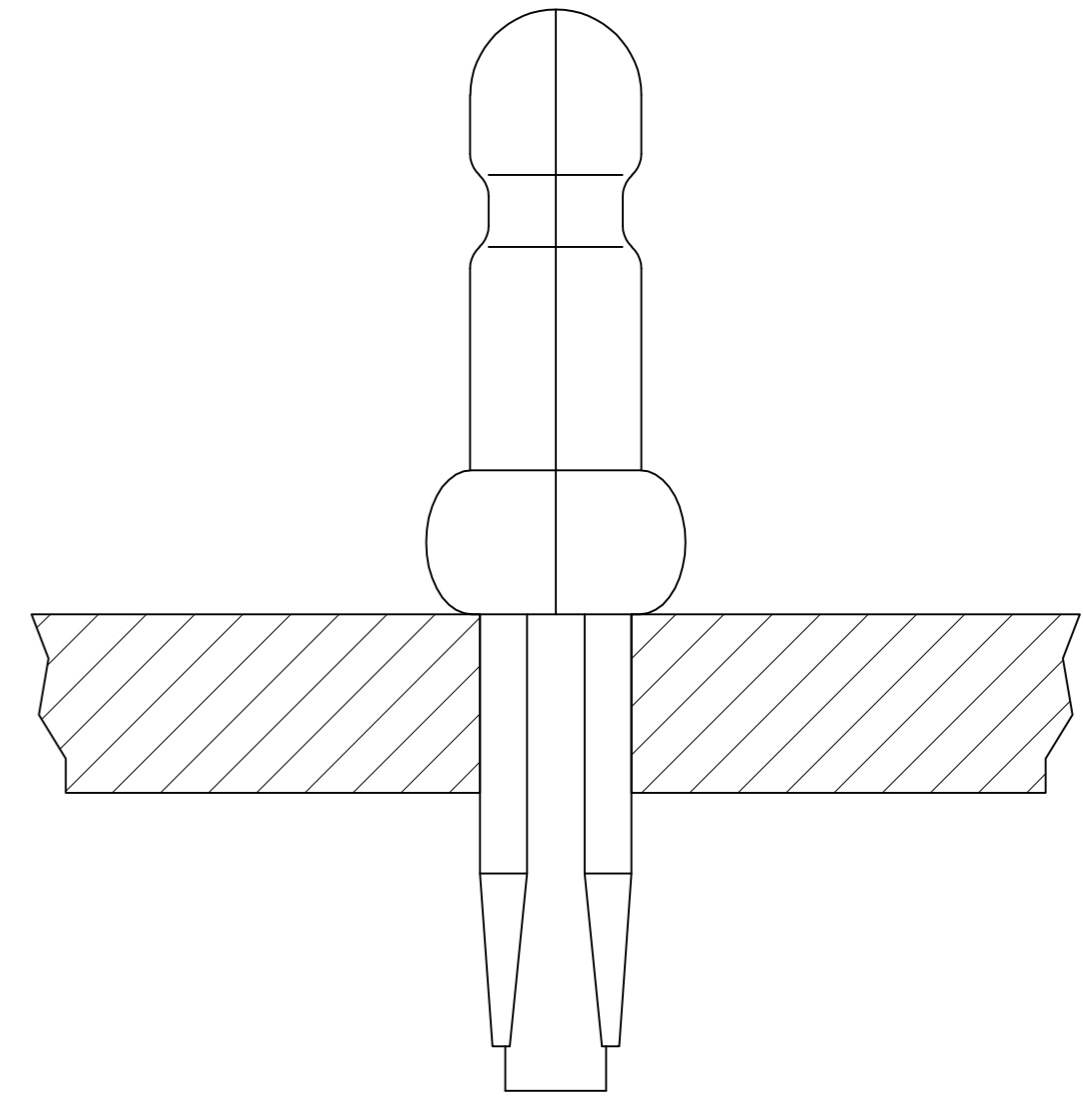
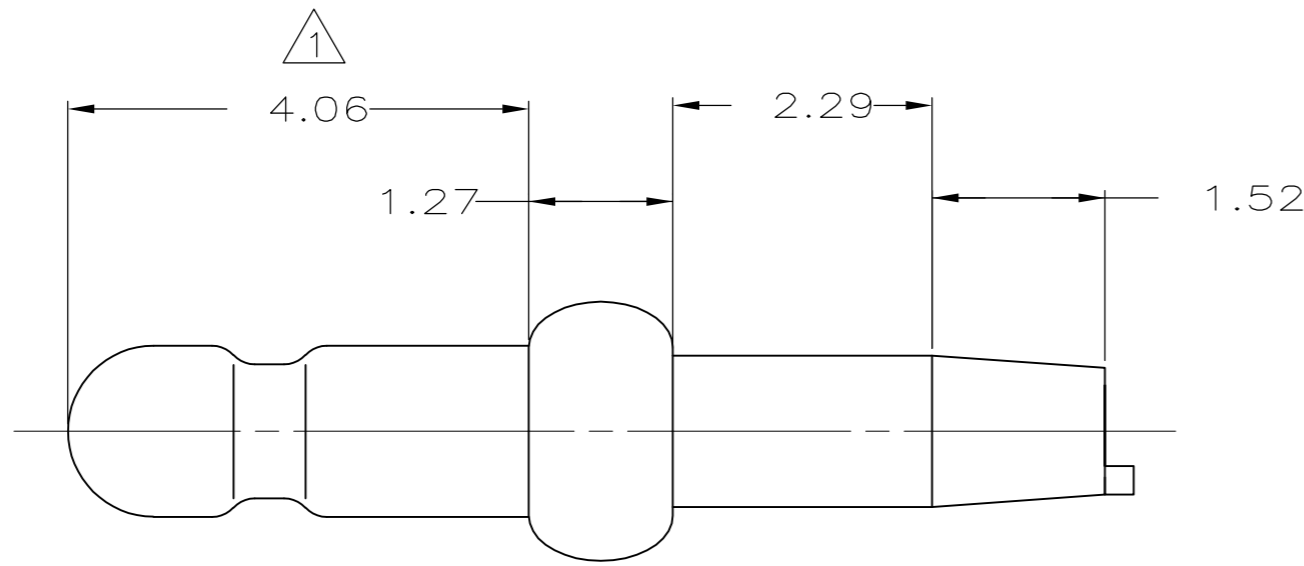
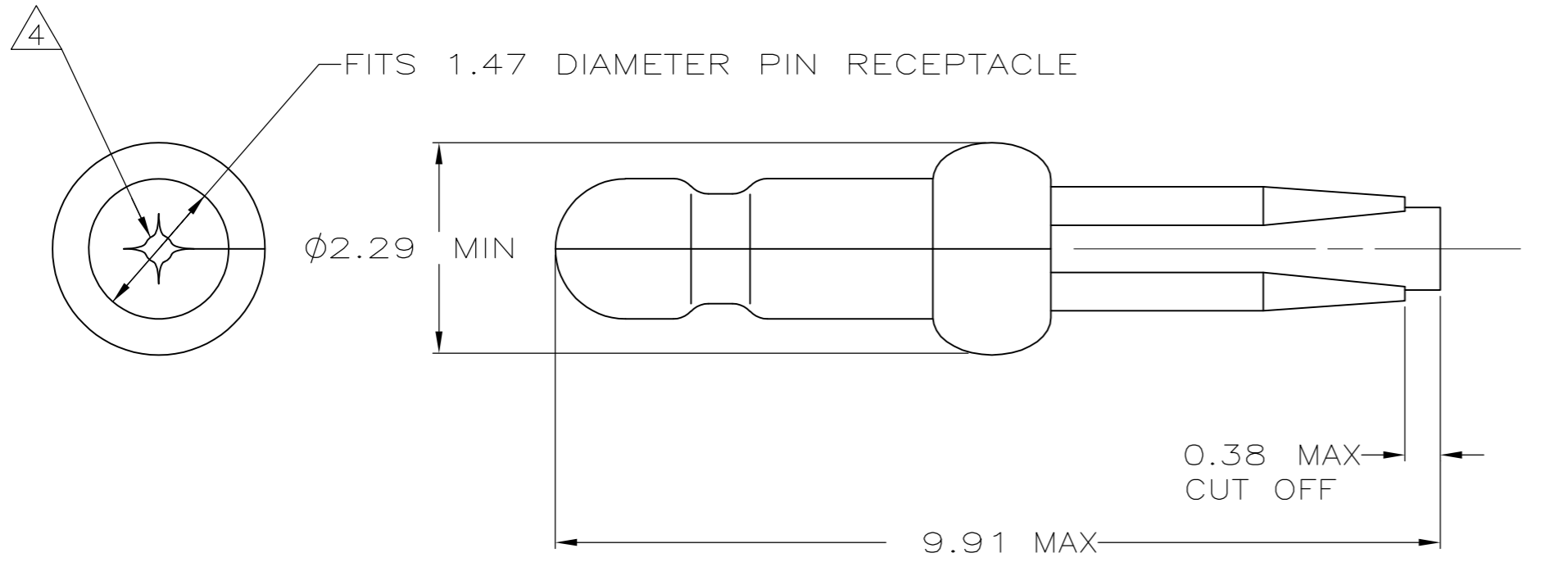


THIS DRAWING IS UNPUBLISHED. RELEASED FOR PUBLICATION
 © COPYRIGHT - By - ALL RIGHTS RESERVED.

LOC		DIST		REVISIONS			
P	LTR	DESCRIPTION		DATE	DWN	APVD	
CM	0	AJ2		REVISED PER ECO-11-004917	11MAR11	RK HMR	

- ① 0.00076 MIN GOLD PLATING IN THIS AREA WITH 0.00381 MIN MATTE TIN LEAD ON THE REMAINDER, BOTH OVER 0.00127 MIN NICKEL UNDERPLATE.
- 2. FITS 1.17 - 1.27 DIAMETER HOLE IN A 1.57 OR 2.36 PRINTED CIRCUIT BOARD.
- 3. PARTS TO COMPLY WITH AMP SOLDERABILITY SPECIFICATION 109-11-3.
- ④ 0.05 - 0.25 DIAMETER OPENING REQUIRED IN TIP OF PIN.
- 5. APPLICATOR FEED: 8.00 - 8.26
- ⑥ 0.00076 MIN GOLD PLATING IN THIS AREA WITH 0.00381 MIN MATTE TIN ON THE REMAINDER, BOTH OVER 0.00127 MIN NICKEL UNDERPLATE.



⑥	3-60803-1
PRE TIN	60803-2
①	60803-1
FINISH	PART NUMBER

0.13	.005	1.27	.050	2.36	.093	-	-
0.05	.002	1.17	.046	2.29	.090	9.91	.390
0.00381	.000150	1.12	.044	1.57	.062	8.26	.325
0.00127	.000050	0.38	.015	1.52	.060	8.00	.315
0.00076	.000030	0.25	.010	1.47	.058	4.06	.160
MM	IN	MM	IN	MM	IN	MM	IN

CONVERSION TABLE

METRIC

THIS DRAWING IS A CONTROLLED DOCUMENT.		DWN	T. BECK	7-28-97		TE Connectivity			
DIMENSIONS: mm		CHK	R. SWING	7-28-97		NAME			
TOLERANCES UNLESS OTHERWISE SPECIFIED:		APVD	A. BEDDICK	9-10-97		PIN, .058 DIAMETER, PHOSPHOR BRONZE, PRESS FIT, LOOSE PIECE, P.C. CONTACT			
0 PLC ± - 1 PLC ± - 2 PLC ± 0.13 3 PLC ± - 4 PLC ± - ANGLES ± -		PRODUCT SPEC	108-1025	SIZE CAGE CODE DRAWING NO RESTRICTED TO					
MATERIAL: 0.25 PH BRZ		APPLICATION SPEC	114-1008	WEIGHT: -		A2	00779	C=60803	-
SEE TABLE		CUSTOMER DRAWING	SCALE: 15:1		SHEET: 1 of 1		REV: AJ2		